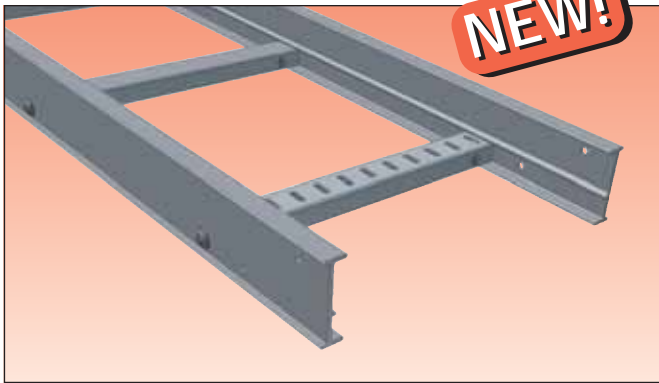


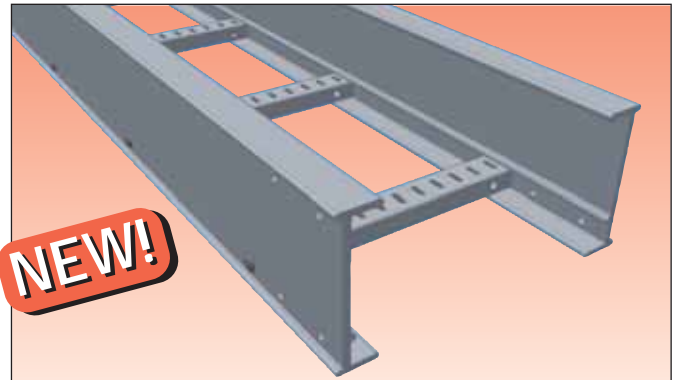


# New FRP Products and the Features on Next Page!



### FOE70 Cable Ladder

Designed specifically to compete with Hot Dip Galvanized products in the high end light weight application market, where maintenance and replacement costs are high, unwanted and unnecessary. Selecting the right material and products can result in a long maintenance and service free life of 20 years or more in most cases.



### FOE150 GA Cable Ladder

Developed as a light heavy duty ladder to fill the gap between medium and heavy duty NEMA 20C ladders where you still need 150mm height and good inside working depths. Loading based on 3m spans are 200kgs/m. The product is manufactured in C1 resin and can be produced in OLSTAR system.



**NEW!**  
OLSTAR  
SYSTEM



Oglaend System has developed a resin formula for the range of ladder & tray products called OLSTAR, that meets or exceeds the most stringent low flame, smoke & toxicity standards in the market today.

Selected products are ABS & DNV approved for offshore and marine

applications, and it carries the most up to date third party test certification from recognized test centres worldwide. Other applications such as tunnels, mass transit, enclosed areas or needs where low flame, smoke and toxicity levels are critical, will benefit from our OLSTAR system.

Third party certification assures you as a customer, that these products have been tested to the latest IMO, ASTM, BS or IEC standards. Technology moves fast so make sure you always have the most up to date certificates.

Please ask for our catalogue or download from

[www.oglaend-system.com](http://www.oglaend-system.com)



**Being first is good, being smart is better, being both is Simply the Best!**



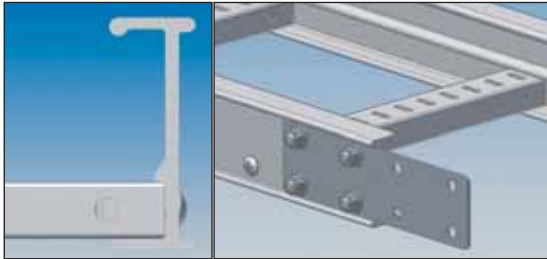
## Product Features for FRP Ladders and Trays:

1. Trim edge, reduces cable snagging, roll over and aids stability in order to reduce rung movement.
2. Rungs can also be inverted.
3. The rung design prohibits any liquid or chemical entrapment thus offering a long maintenance free life.



**Full height splice** and joint connectors with vibration proof locking bolt sets.

**Dome head bolts** used on all splice connectors and rung attachments.



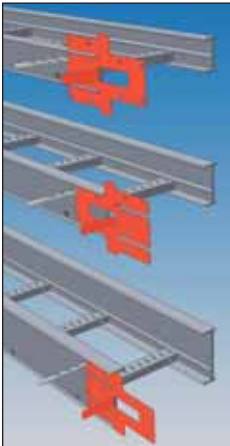
**The unique off centre side profile** allows secure fitting of full height splice plates. This system aids easy installation and increases the load capacity at splice location. Oglaend System is the only company in the world to offer full height splice plates on all FRP products.



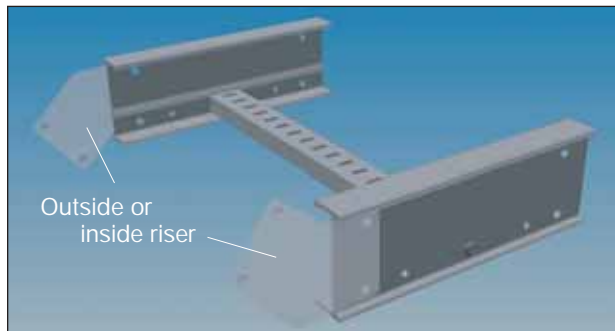
**Channel rung profile** for increased loading complete with perforations. This type of rung is unique to Oglaend System and no other supplier offers such an heavy duty punched rung as standard on all products. The system aids faster and more secure cable installation.

When using the Oglaend splice system you can splice at any location, as the loading on the splicing is as good as the ladder profile itself.

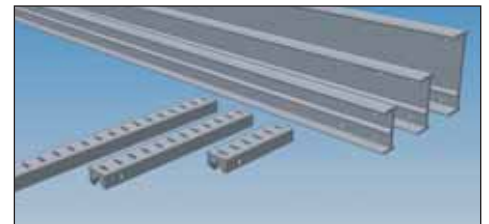
**Smart Jig**, saves time & money when drilling new holes after site modifications and offers 100% accuracy.



**Flexible rung attachment** allow additional rungs to be installed or modify current rung spacing easily.



**Flexible Riser** allows the user to change between inside or outside riser. By changing the angle bracket you can make angles of 22.5, 30, 45 and 90 deg. The same principle is used for tray and ladder fittings.



Oglaend FRP ladders can be supplied in kit form for easy assembly in hard to reach areas.



### OGLAEND INDUSTRIES SDN BHD MALAYSIA

was established in 2008. The plant is our centre for development and production of our FRP product line. The factory, warehouse and grounds occupy some 6,000 m<sup>2</sup> and is situated west of Kuala Lumpur. OIM has been designing and producing quality FRP products for more than 5 years and has some fantastic references in such a short time.



### OGLAEND INDUSTRIES AS

is the parent company and is located close to Stavanger in Norway. Today the group employs approximately 210 people with a turnover exceeding 100 million US\$ in 2008. In order to secure a complete global market coverage the company co-operates with 9 global subsidiaries and 15 sales representatives.

**For your enquires:**



Oglaend Industries SDN BHD  
Jalan Hulu Tinggi 26/6  
Section 26, Sector A  
Hicom Industrial Park  
Shah Alam, Selangor  
Malaysia

Tel.: + 60 3 51 922 049  
Mobile: + 60 1 26 85 57 65  
Fax: + 60 3 51 922 039  
Email:  
sales@oglaendind.com  
fraser@oglaendind.com